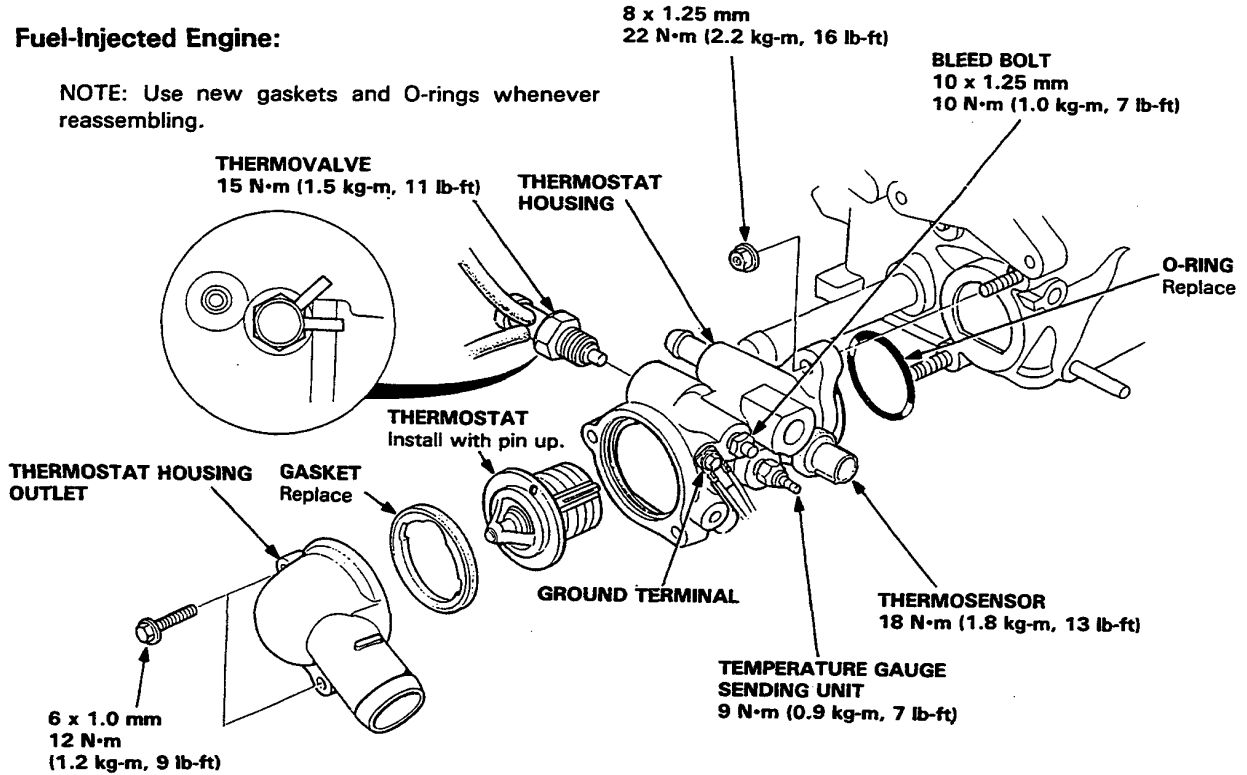


Thermostat Replacement

Fuel-Injected Engine:

NOTE: Use new gaskets and O-rings whenever reassembling.



Carbureted Engine:

NOTE: Use new gaskets and O-rings whenever reassembling.

