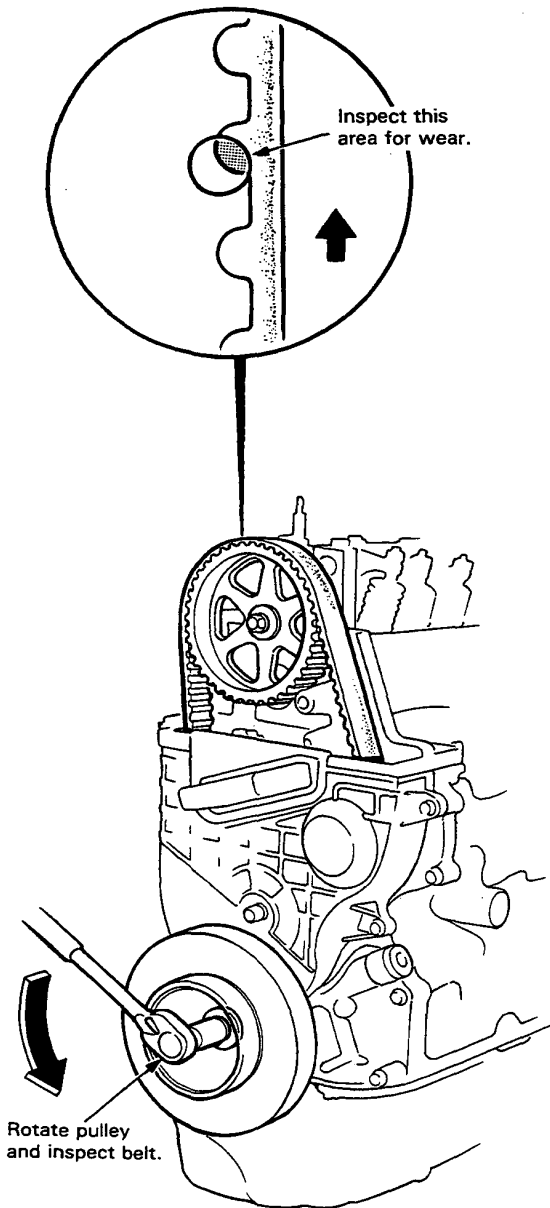




Inspection

NOTE:

- Replace belt if oil soaked.
- Remove any oil or solvent that gets on the belt.



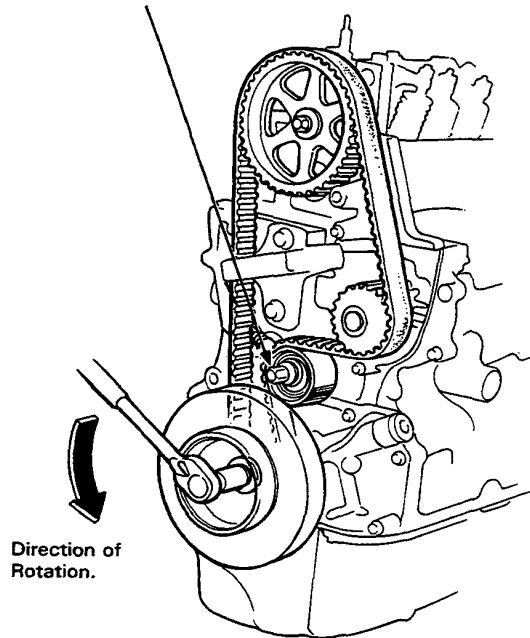
Tension Adjustment

CAUTION: Always adjust timing belt tension with the engine cold.

NOTE: Tensioner is spring-loaded to apply proper tension to the belt automatically after making the following adjustment:

1. Set the No. 1 piston at TDC.
2. Loosen adjust bolt.

ADJUST BOLT
43 N·m
(4.3 kg-m, 31 lb-ft)



3. Rotate crankshaft counterclockwise 3-teeth on camshaft pulley to create tension on timing belt.
4. Tighten adjust bolt.
5. If pulley bolt broke loose while turning crank, re-torque it to 115 N·m (11.5 kg-m, 83 lb-ft).

NOTE: Put transmission in gear and set parking brake before retorquing pulley bolt.