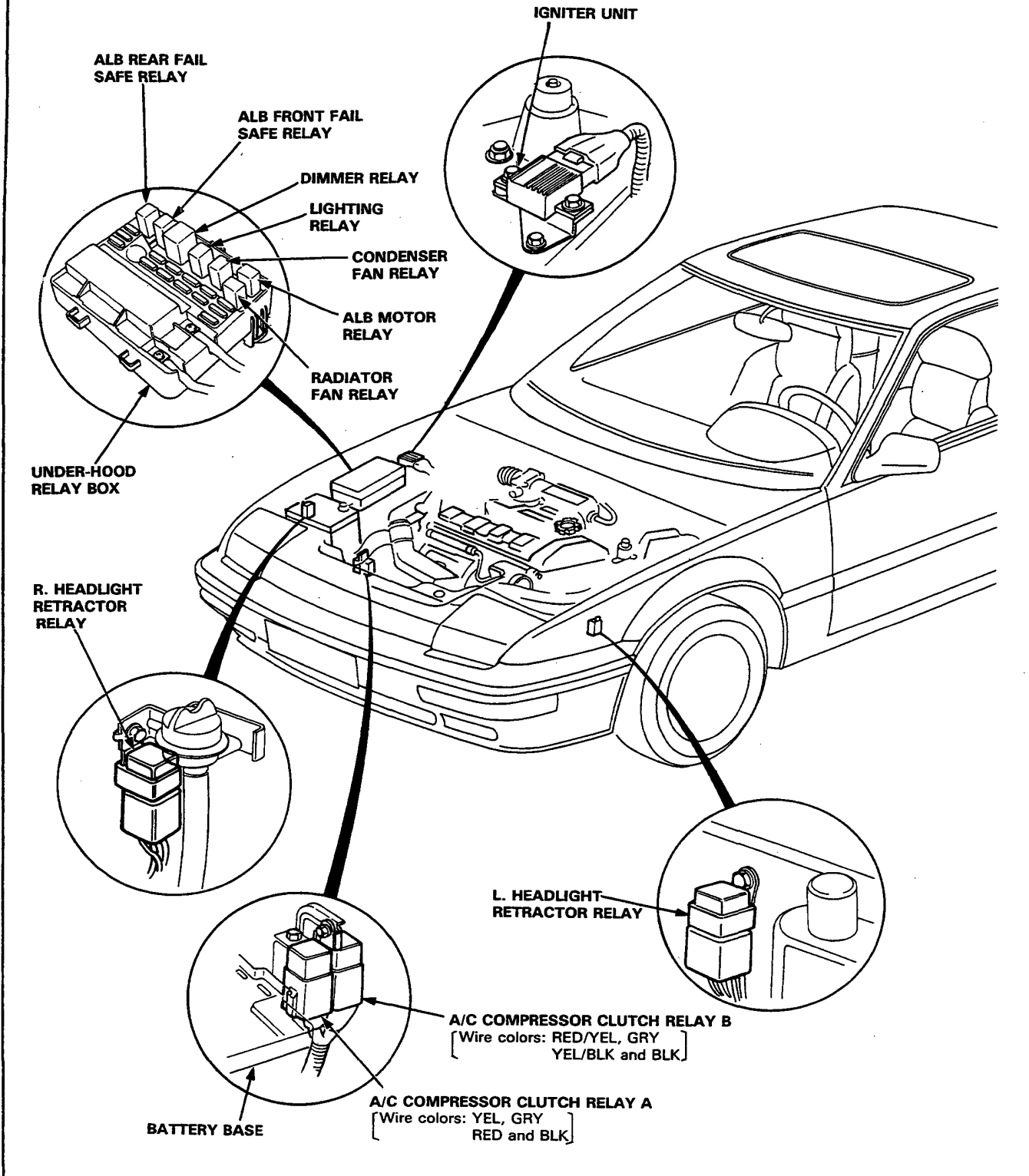


# Relays and Control Unit Locations

## Engine Compartment



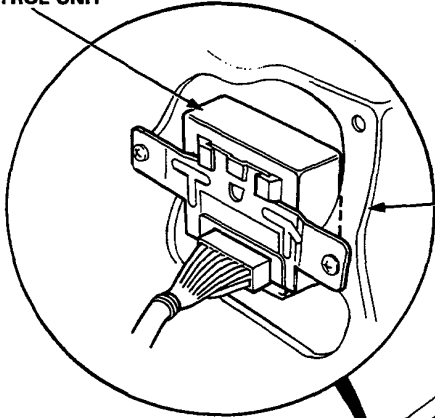


# Door and Floor

**NOTE:**

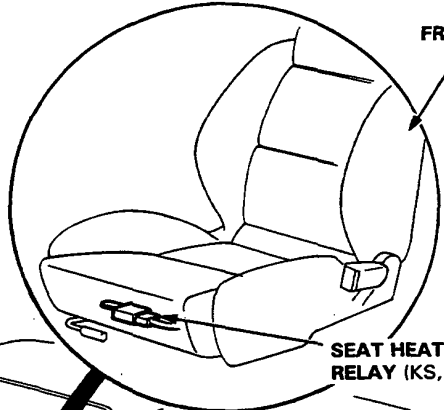
- The illustration is L.H. drive type.
- R.H. drive type is symmetrical to L.H. drive type.

**POWER DOOR LOCK CONTROL UNIT**

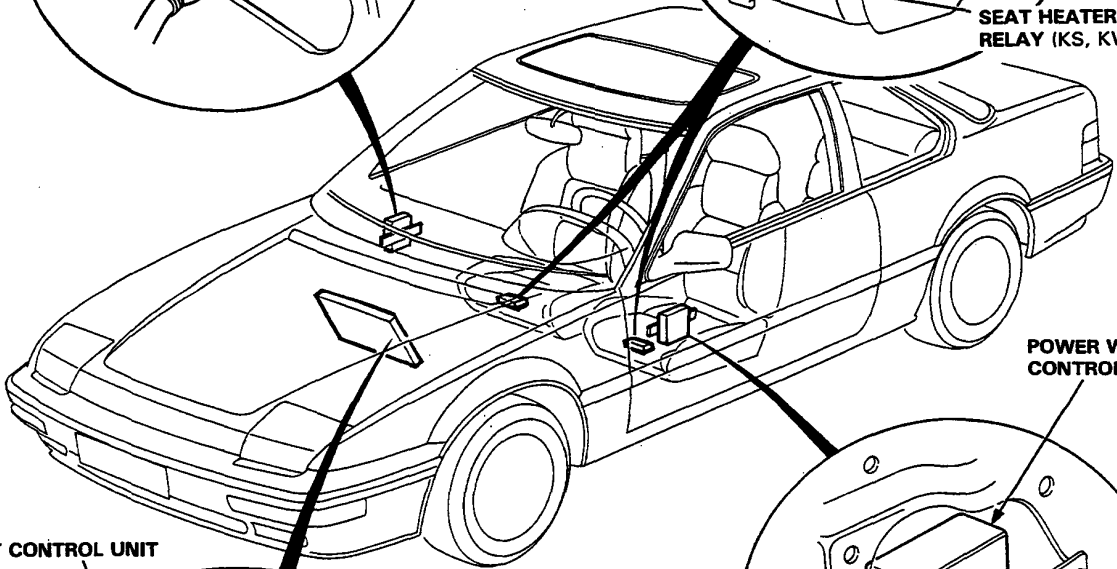


**R. DOOR INNER PANEL**

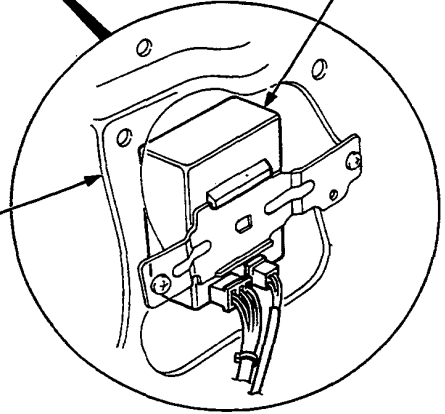
**FRONT SEAT**



**SEAT HEATER RELAY (KS, KW models)**

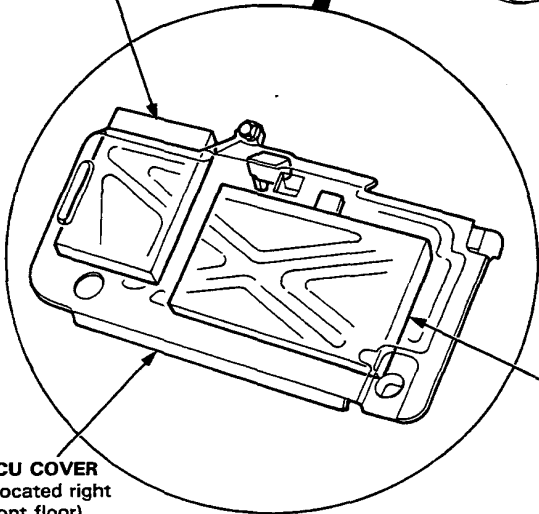


**POWER WINDOW CONTROL UNIT**



**L. DOOR INNER PANEL**

**A/T CONTROL UNIT**



**ECU COVER**  
(Located right front floor)

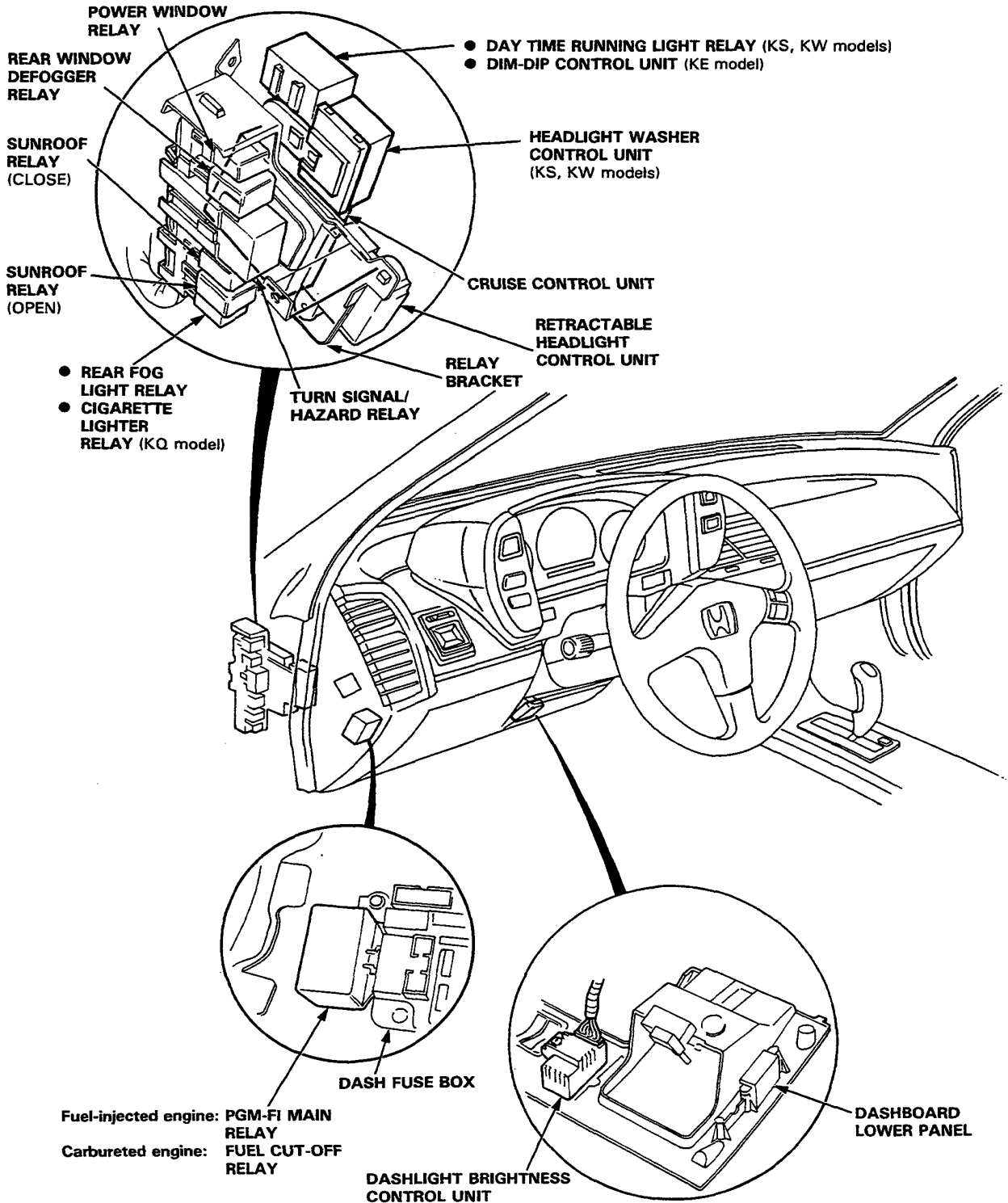
Fuel-injected engine: PGM-FI ECU  
Carbureted engine: PGM-CARB CONTROL UNIT

# Relays and Control Unit Locations

## Dashboard

### NOTE:

- The illustration is L.H. drive type.
- R.H. drive type is symmetrical to L.H. type.





**NOTE:**

- The illustration is L.H. drive type.
- R.H. drive type is symmetrical to L.H. drive type.

