

Air Conditioner

Service Tips

CAUTION:

1. Always disconnect the negative cable from the battery whenever replacing air conditioner parts.
2. Keep moisture and dust out of the system. When disconnecting any lines, plug or cap the fittings immediately; don't remove the caps or plugs until just before the lines are reconnected.
3. Before connecting any hose or line, apply a few drops of refrigerant oil to the seat of the O-ring or flare nut.
4. When tightening or loosening a fitting, use a second wrench to support the matching fitting.
5. When discharging the system, don't let refrigerant escape too fast; it will draw the compressor oil out of the system.
6. Add refrigerant oil after replacing the following parts:

Condenser 10 cc (1/3 fl oz)

Evaporator 20 cc (2/3 fl oz)

Line or hose 10 cc (1/3 fl oz)

Receiver 10 cc (1/3 fl oz)

Compressor On compressor replacement, subtract the volume of oil drained from the removed compressor from 150 cc (5 fl oz) and drain the calculated volume of oil from the new compressor.

150 cc (5 fl oz) – subtract volume of removed compressor = Draining volumes

7. Torque specifications

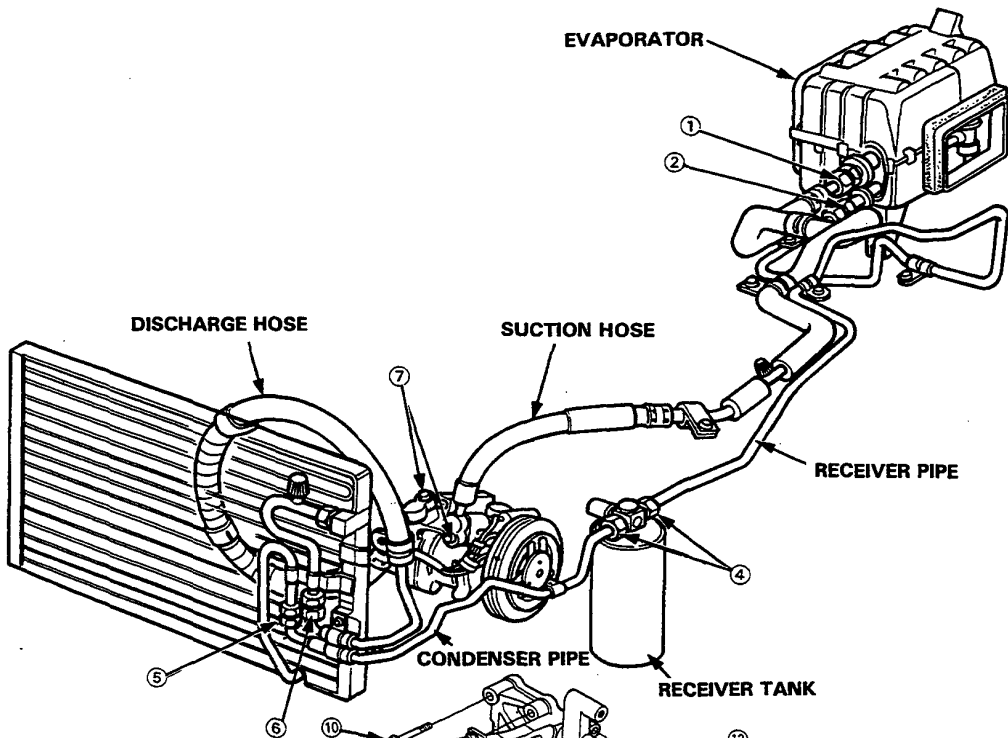
①	Suction hose (Evaporator side)	32 N·m (3.2 kg-m, 23 lb-ft)
②	Receiver pipe (Evaporator side)	17 N·m (1.7 kg-m, 12 lb-ft)
③	Receiver pipe	17 N·m (1.7 kg-m, 12 lb-ft)
④	Receiver tank assembly	17 N·m (1.7 kg-m, 12 lb-ft)
⑤	Condenser assembly (Condenser pipe)	17 N·m (1.7 kg-m, 12 lb-ft)
⑥	Condenser assembly (Discharge hose)	25 N·m (2.5 kg-m, 18 lb-ft)
⑦	Compressor hose mounting bolts	30 N·m (3.0 kg-m, 22 lb-ft)
⑧	Compressor assembly mounting bolts (8 x 130)	25 N·m (2.5 kg-m, 18 lb-ft)
⑨	Compressor bracket mounting bolts (10 x 40)	48 N·m (4.8 kg-m, 35 lb-ft)
⑩	Compressor bracket mounting bolt (10 x 70)	48 N·m (4.8 kg-m, 35 lb-ft)
⑪	Compressor bracket mounting bolt (10 x 55)	48 N·m (4.8 kg-m, 35 lb-ft)
⑫	Compressor bracket mounting bolt (10 x 65)	48 N·m (4.8 kg-m, 35 lb-ft)

WARNING When handling refrigerant (R-12):

- Always wear eye protection.
- Do not let refrigerant get on your skin or in your eyes. If it does:
 - Do not rub your eyes or skin.
 - Splash large quantities of cool water in your eyes or on your skin.
 - Rush to a physician or hospital for immediate treatment. Do not attempt to treat it yourself.
- Keep refrigerant containers (cans of R-12) stored below 40°C (100°F).
- Do not handle or discharge refrigerant in an enclosed area near an open flame: it may ignite and produce a poisonous gas.



RH Drive:



LH Drive:

