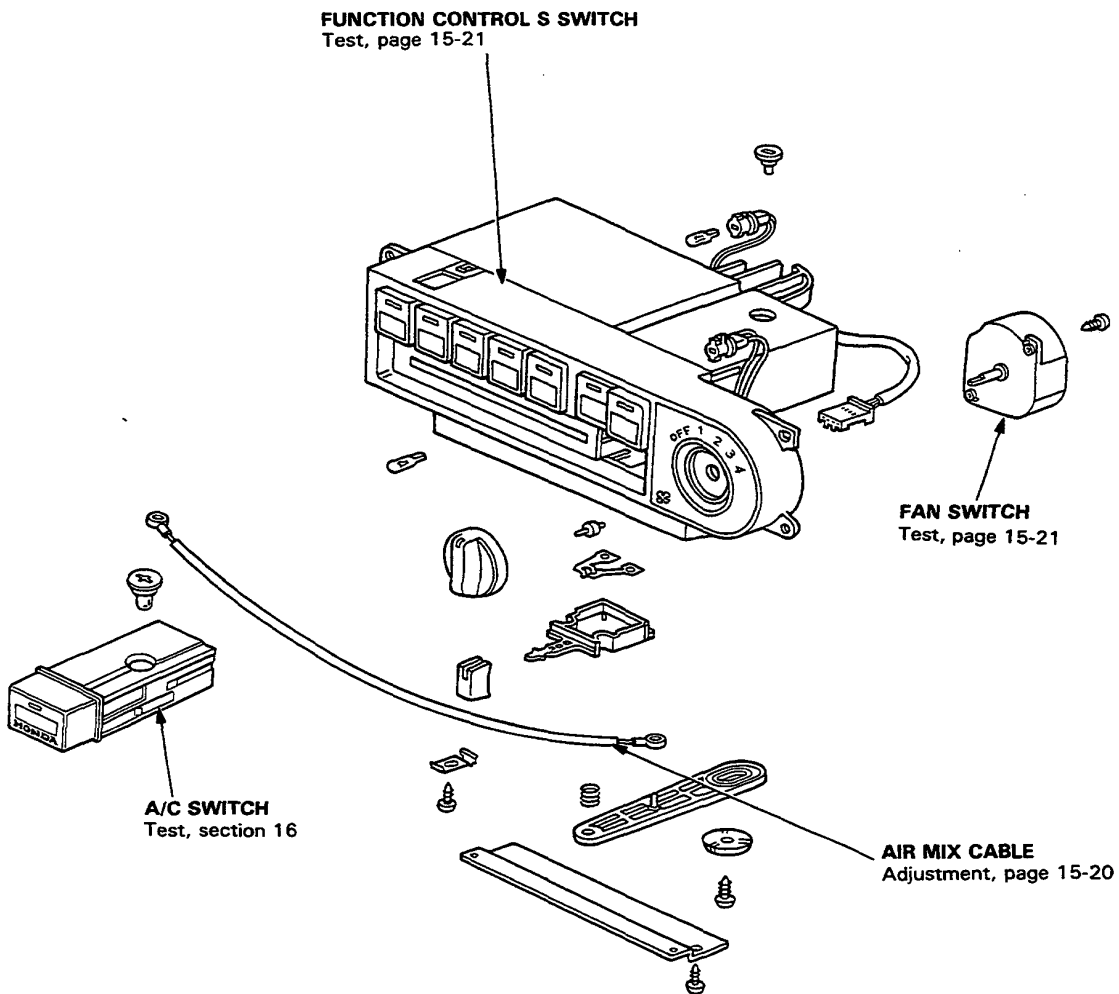




Overhaul



NOTE: After assembly check that the air mix lever slides smoothly, the full stroke right to left.