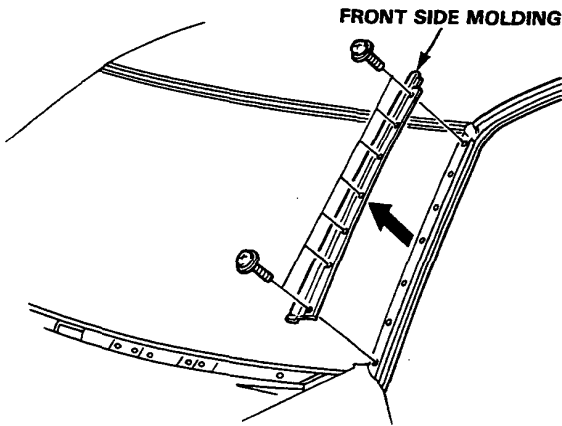




Windshield

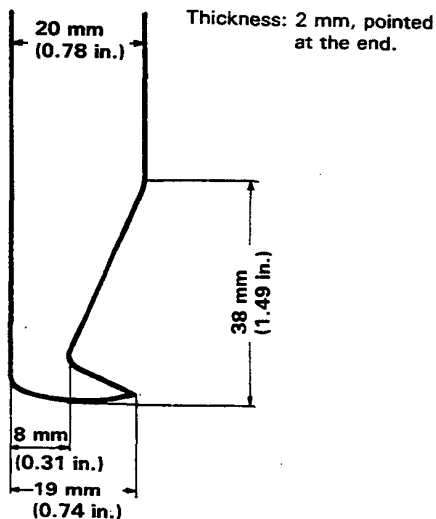
Removal

- To remove the windshield, first remove the:
 - Rearview mirror (page 14-43).
 - Sun visors and holders.
 - Front pillar trim (page 14-36).
 - Front wiper and air scoop.
 - Lower molding.
 - Front of weatherstrip.
- Remove the screws, then remove the front side molding.

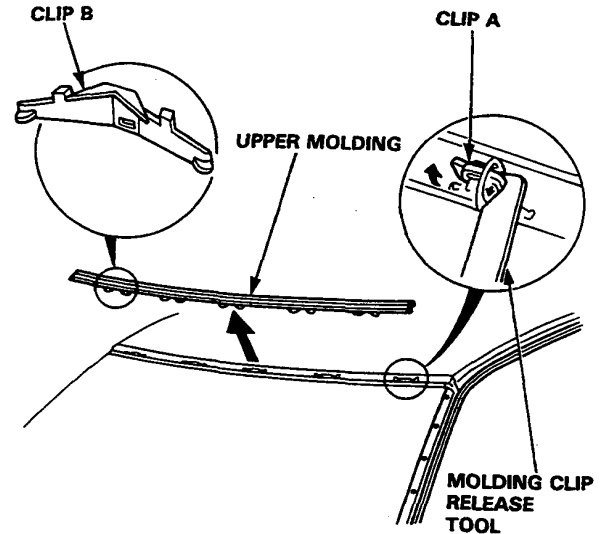


NOTE: You will need a molding clip release tool to remove some moldings. If necessary, make one that has the dimensions shown:

Molding Clip Release Tool



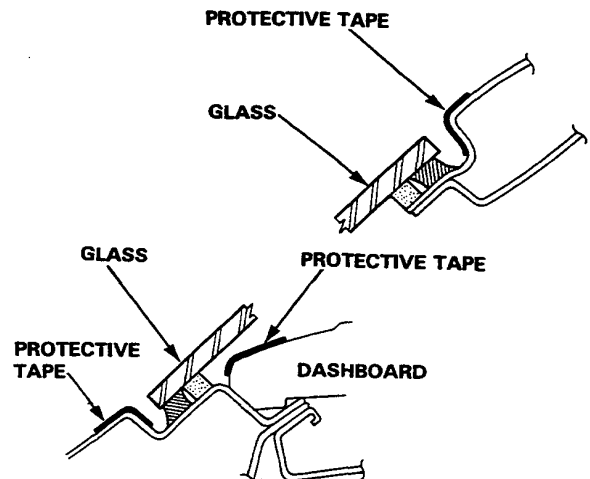
- Raise the upper molding slightly away from the windshield at the locations where the molding clips are used, then fit the end of the molding clip release tool at each clip, and pull it toward you until the clip is clear of the molding.



- Lower the front of the headliner.

NOTE: Take care not to bend the headliner excessively.

- Apply protective tape along the edge of the dashboard and body next to the glass as shown.

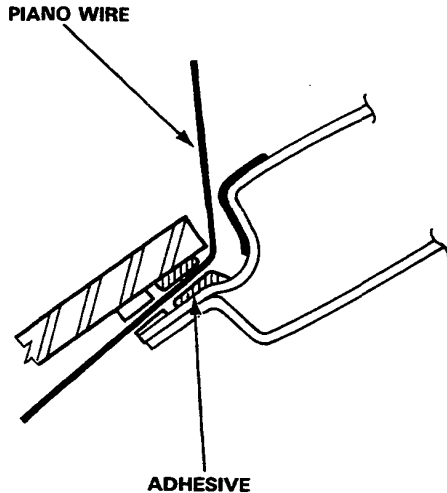


(cont'd)

Windshield

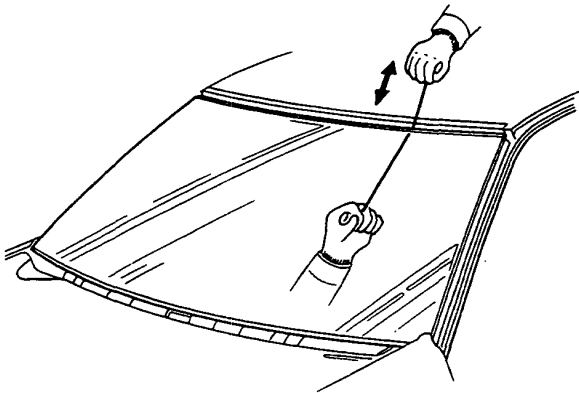
Removal (cont'd)

- Using an awl, make a hole through the adhesive from inside the car. Push piano wire through the hole and wrap each end around a piece of wood.



- With a helper on the outside, pull the wire back and forth in a sawing motion and carefully cut through the adhesive around the entire glass.

CAUTION: Hold the piano wire as close to the glass as possible to prevent damage to the body and dashboard.



- Remove the molding clips, and the rubber dam.

Installation

- Scrape the old adhesive smooth with a knife, to a thickness of about 2 mm (0.08 in.) on the bonding surface around the entire glass flange.

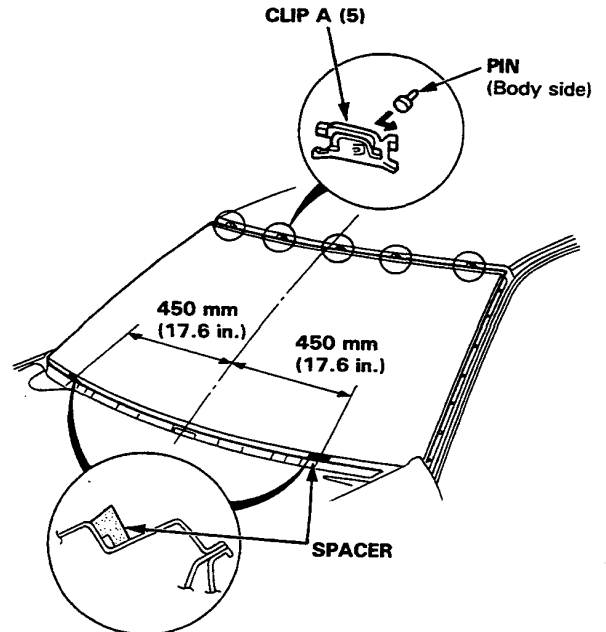
NOTE:

- Do not scrape down to the painted surface of the body; damaged paint will interfere with proper bonding.
- Remove all traces of the rubber spacer material from the body.
- Mask off surrounding surfaces before applying primer.

- Clean the body bonding surface with a sponge dampened in alcohol.

NOTE: After cleaning, keep oil, grease or water from getting on the surface.

- Install the molding clips as shown.



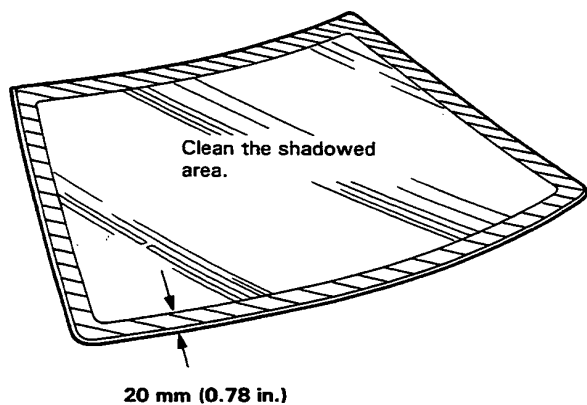
- Peel the backing off each spacer, then install the spacers by pressing them firmly into place at the locations shown.



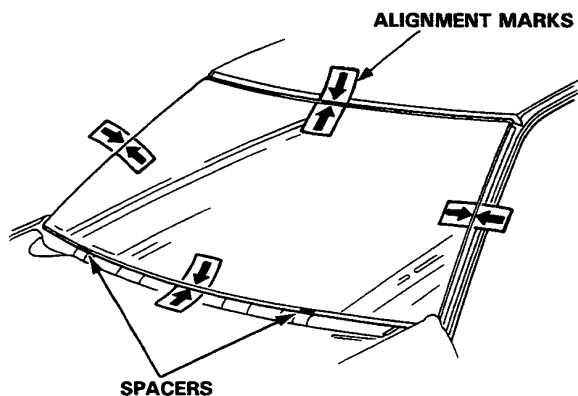
5. If the glass is to be reinstalled, use a putty knife to scrape off all traces of old adhesive, then clean the glass surface with alcohol where new adhesive is to be applied.

NOTE: Make sure the bonding surface is kept free of water, oil and grease.

CAUTION: Avoid setting the glass on its edges; small chips may later develop into cracks.



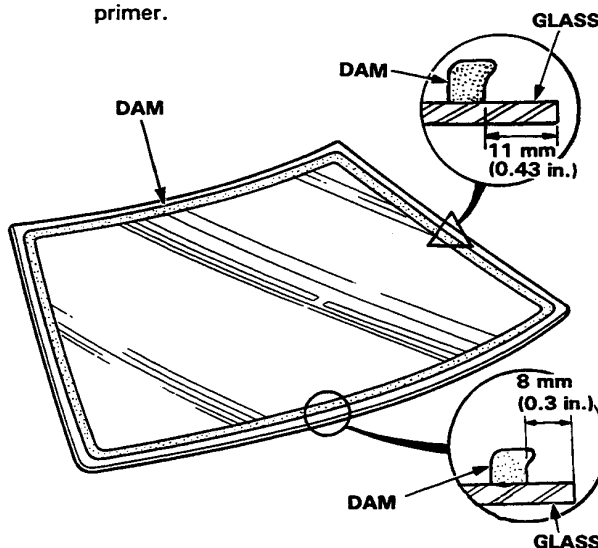
6. Set the glass upright on the spacers, and center it in the opening. Mark the location by marking lines across the glass and body with a grease pencil at the four points shown.



7. Glue the rubber dam to the inside face of the windshield as shown, to contain the adhesive during installation.

NOTE:

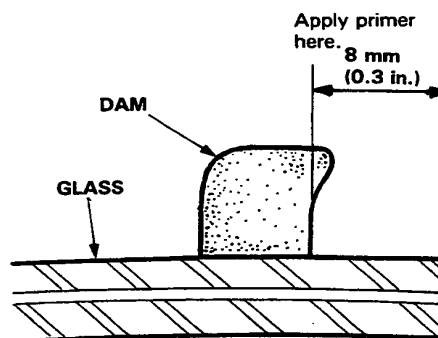
- Be careful not to touch the glass where adhesive will be applied.
- Mask off surrounding surfaces before applying primer.



8. With a sponge, apply a light coat of glass primer around the edge of the glass, then lightly wipe it off with gauze or cheesecloth.

NOTE:

- Do not apply body primer to the glass, and do not get body and glass primer sponges mixed up.
- Never touch the primed surfaces with your hands. If you do, the adhesive may not bond to the glass properly, causing a leak after the glass is installed.
- Keep water, dust, and abrasive materials away from the primed surface.



(cont'd)

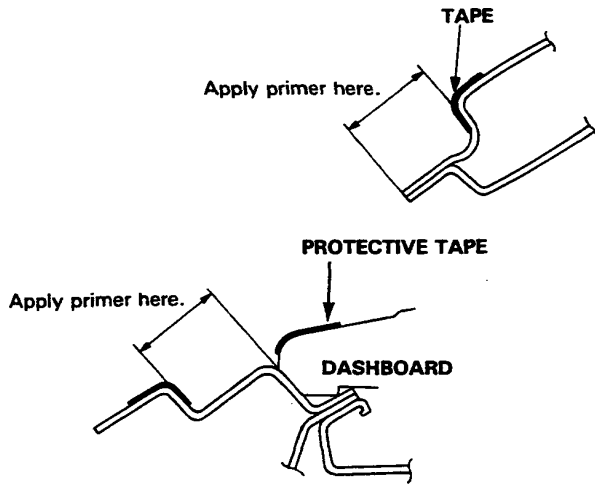
Windshield

Installation (cont'd)

9. With a sponge, apply a light coat of body primer to the original adhesive remaining around the window opening flange.

NOTE:

- Do not apply glass primer to the body, and be careful not to mix up glass and body primer sponges.
- Never touch the primed surfaces with your hands.
- Mask off the dashboard before painting the flange.

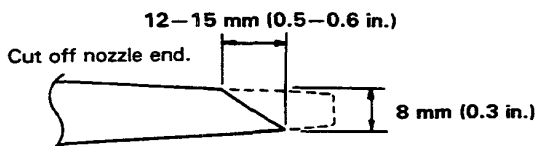


10. Thoroughly mix the adhesive and hardener together on a glass or metal plate.

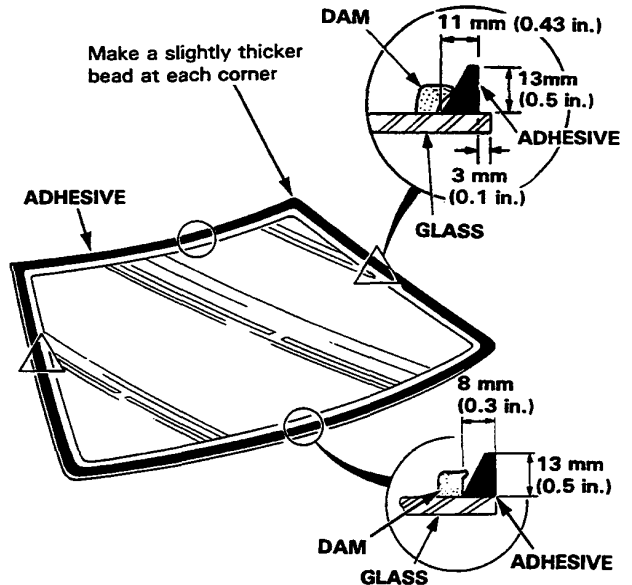
NOTE:

- Clean the plate with a sponge and alcohol before mixing.
- Follow the instructions that came with the adhesive.

11. Before filling a cartridge, cut off the end of the nozzle at the angle shown.

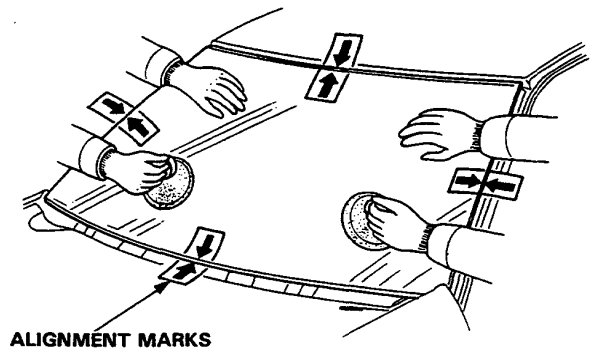


12. Pack adhesive into the cartridge without air pockets, to ensure continuous delivery. Put the cartridge in a caulking gun, and run a bead of adhesive around the edge of the glass as shown.



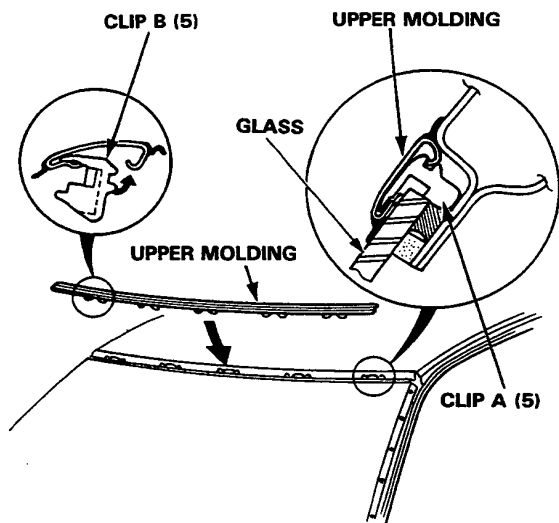
13. Use suction cups to hold the glass over the opening, align it with the marks made in step 6 and set it down on the adhesive. Lightly push on the glass until its edges are fully seated on the adhesive all the way around.

NOTE: Do not open or close the doors until the adhesive is dry.





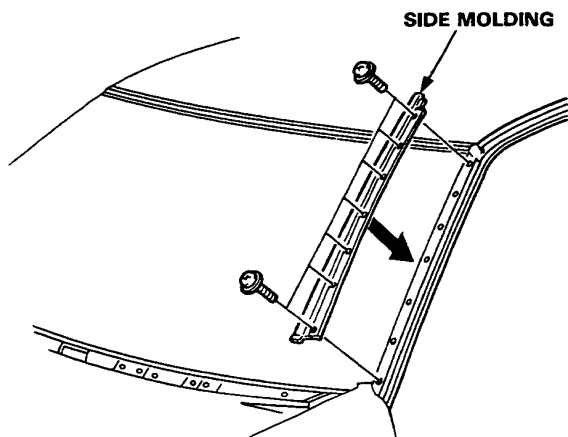
14. Attach the molding clips to the upper molding, then install the upper molding.



15. Scrape or wipe the excess adhesive off with a putty knife or gauze.

NOTE: Use a soft rag or towel dampened with alcohol or unleaded gasoline to remove adhesive from a painted surface or glass.

16. Install the side molding.



17. After the adhesive is dry, spray water over the glass and check for leaks. Mark leaking areas and let the glass dry, then seal with sealant.

NOTE: Let the car stand for at least 4 hours after glass installation. If the car has to be used within the first 4 hours, it must be driven slowly.

18. Fix the headliner back into position, then install:

- Front of weatherstrip.
- Lower molding.
- Air scoop and front wiper.
- Front pillar trim.
- Sunvisors and holders.
- Rearview mirror.