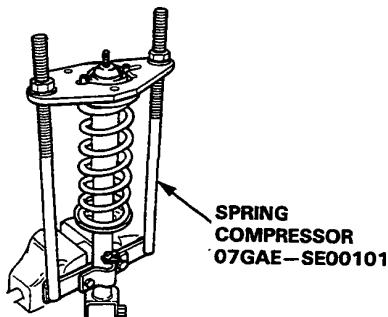


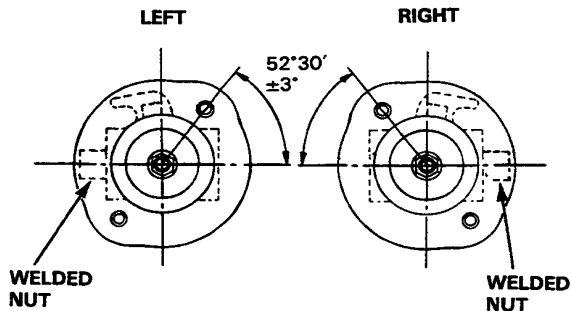


## Reassembly

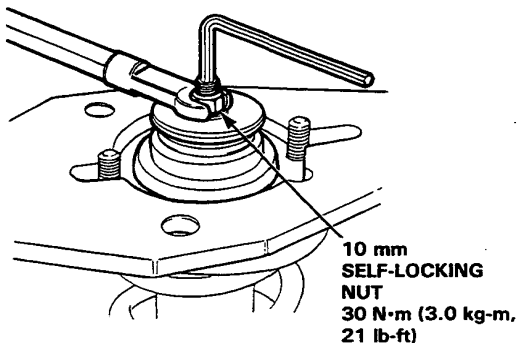
1. Install the damper unit on a spring compressor.
2. Install the spring seat, bump stop, dust cover sleeve, damper spring, bump stop plate, damper mounting collar, damper mounting rubber, spring mounting rubber and damper mounting base on the damper unit.
3. Compress the damper spring.



**CAUTION:** Install the damper mounting base so that the angle of the stud bolts is as shown.



4. Install the damper mounting rubber and damper mounting washer, and loosely install a new 10 mm self-locking nut.
5. Hold the damper shaft and tighten the 10 mm self-locking nut.



## Installation

1. Lower the rear suspension and set the damper assembly in its original position.
2. Loosely install the damper mounting bolts.
3. Install and tighten the damper mounting nuts.
4. Install and tighten the upper arm mounting bolts.
5. Raise the rear suspension with a floor jack until the weight of the car is on the damper.

**NOTE:** The damper mounting bolts should be tightened with the damper under vehicle load.

6. Tighten the damper mounting bolts.

