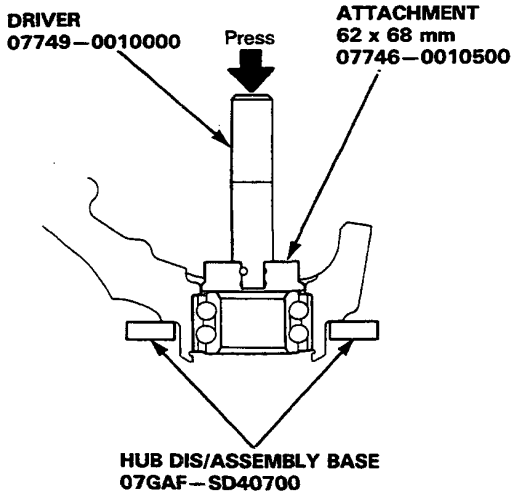


Knuckle/Hub

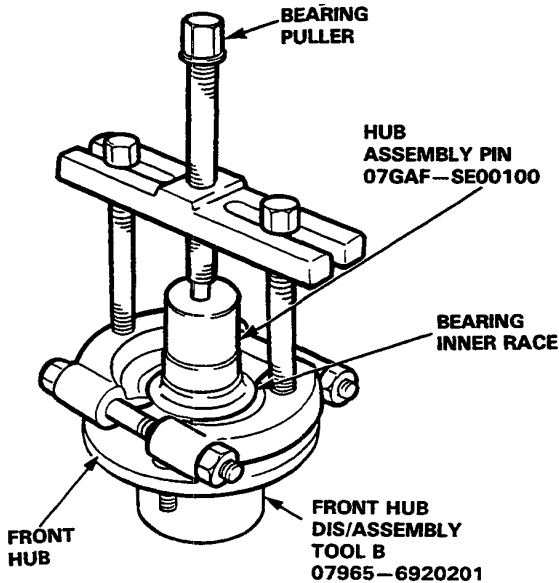
Bearing Removal

NOTE: Replace the bearing with a new one after removal.

1. Remove the splash guard and 78 mm circlip from the knuckle.
2. Press the wheel bearing out of the knuckle using a hydraulic press and the special tools shown below.



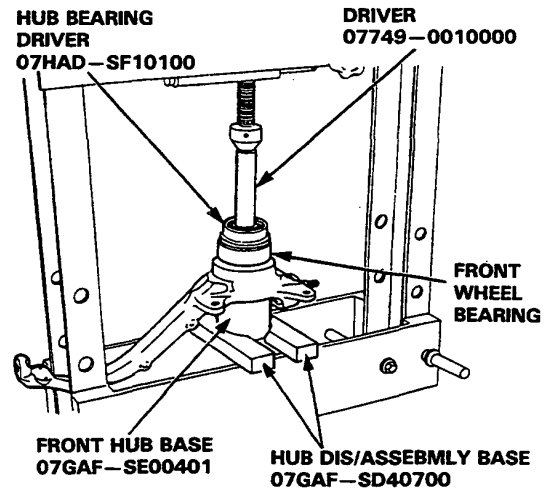
3. Remove the outboard bearing inner race from the hub using a bearing puller and the special tools shown below.



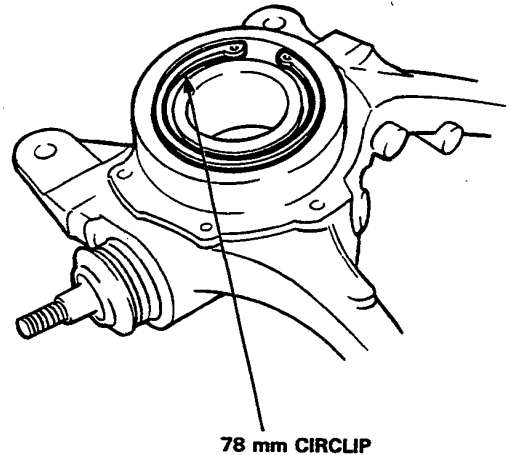
NOTE: Wash the knuckle and hub thoroughly before reassembly.

Reassembly

1. Press a new wheel bearing into the hub using a hydraulic press and the special tools shown below.

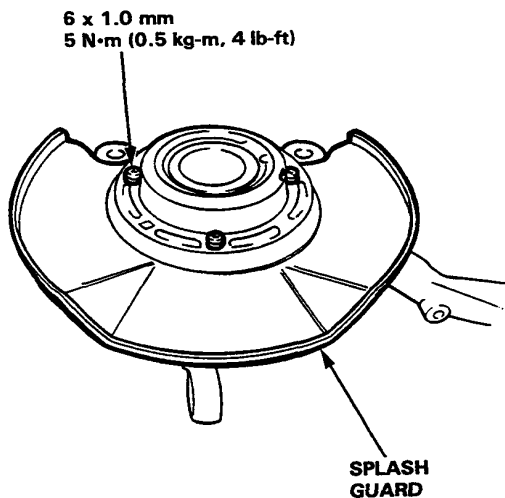


2. Install the 78 mm circlip securely in the knuckle groove.



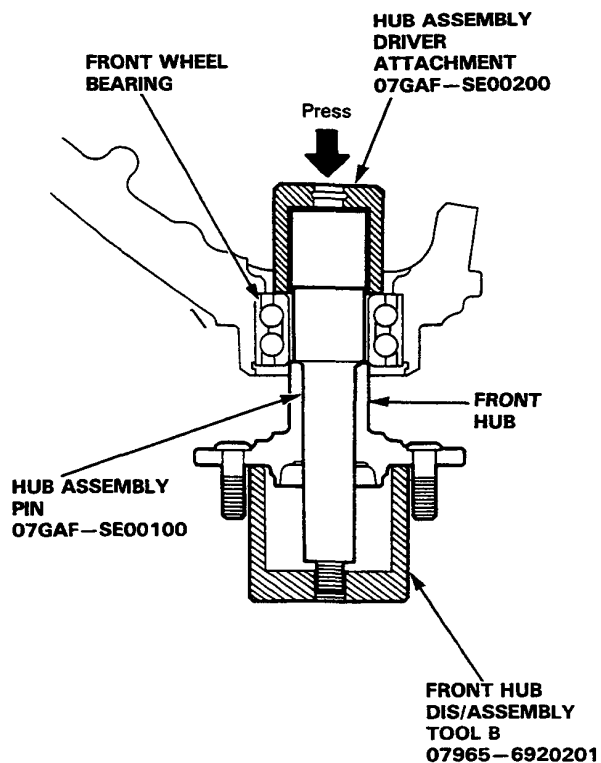


3. Install the splash guard and tighten the screws.



4. Place the front hub in special tool fixture, then set the knuckle in position and apply downward pressure with a hydraulic press.

CAUTION: Maximum press load: 4 tons



5. Install the knuckle ring on to the knuckle.

