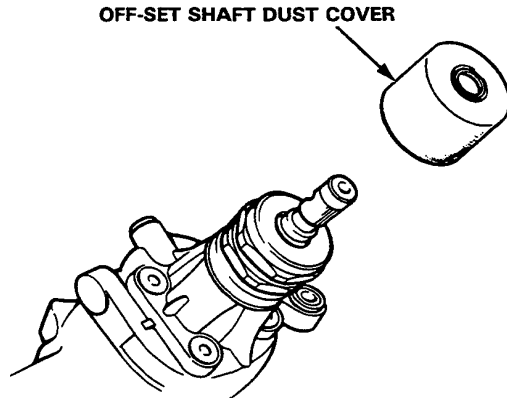


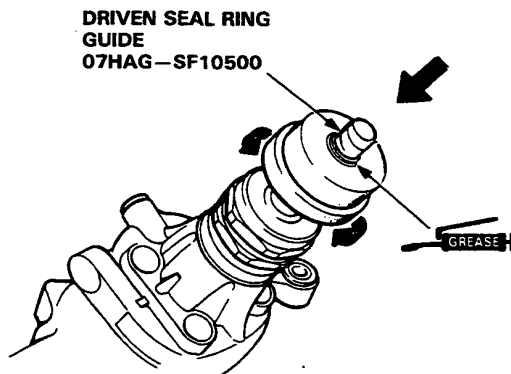


Off-set Shaft Dust Cover Replacement

1. Remove the off-set shaft dust cover.



2. Grease the special tool and fit it over the off-set shaft.
3. Pack the sealing lip of the dust cover with grease.



4. Invert the inner end of the dust seal, then place the end over the lock nut.
5. Remove the special tool.