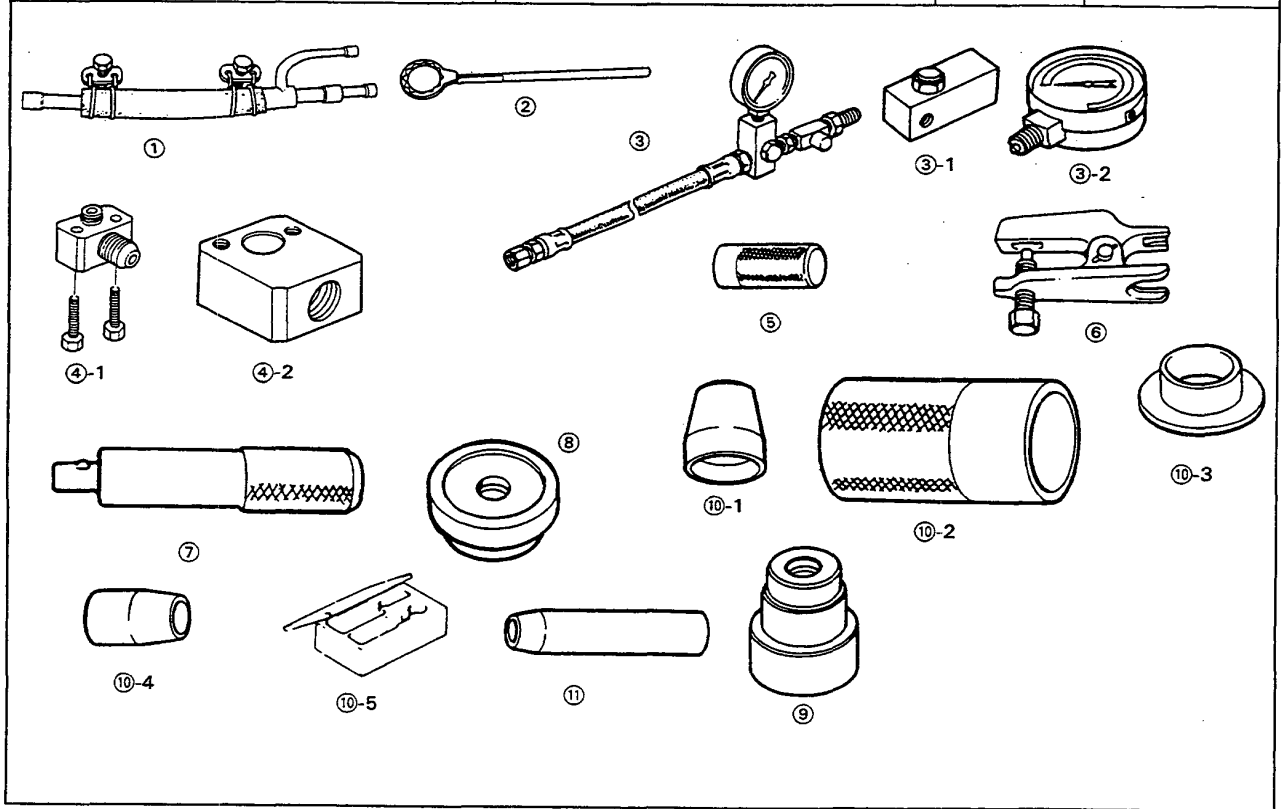


Special Tools

Special Tools

Ref. No.	Tool Number	Description	Q'ty	Remarks
①	07406-0010101	Bypass Tube Joint	1	
②	07916-SA50001	40 mm Lock Nut Wrench	1	
③	07406-0010200	P/S Pressure Gauge Set	1	
③-1	07406-0010300	Pressure Control Valve	1	
③-2	07406-0010400	Pressure Gauge	1	
④	07GAK-SE00100	P/S Pressure Gauge Adapter Set	1	
④-1	07GAK-SE00110	P/S Joint Adapter (Hose)	1	
④-2	07GAK-SE00120	P/S Joint Adapter (Pump)	1	
⑤	07953-7190000	Collar Driver	1	
⑥	07941-6920003	Ball Joint Remover	1	
⑦	07749-0010000	Driver	1	
⑧	07746-0010300	Attachment 42 x 47 mm	1	
⑨	07947-6340300	Driver Attachment	1	
⑩	07GAG-SD40000	P/S Tool Kit	1	
⑩-1	07GAG-SD40100	Piston Seal Ring Guide	1	
⑩-2	07GAG-SD40200	Piston Seal Sizing Tool	1	
⑩-3	07GAG-SD40300	Cylinder End Seal Slider	1	
⑩-4	07GAG-SD40400	End Seal Guide	1	
⑩-5	07GAG-SD40600	Tool Box	1	
⑪	07974-SA50600	Pinion Seal Guide	1	





Special (4WS only)

Ref. No.	Tool Number	Description	Q'ty	Remarks
①	07703-0010101	Torx Bit Driver T40	1	
②	07HAA-SF10100	Lock Nut Socket 36 x 41 mm	1	
③	07HAG-SF10000	4WS Tool Kit	1	
③-1	07HAG-SF10100	Piston Seal Ring Guide	1	
③-2	07HAG-SF10200	Piston Seal Ring Sizing Tool	1	
③-3	07HAG-SF10300	Pinion Seal Ring Guide	1	
③-4	07HAG-SF10400	Pinion Seal Ring Sizing Tool	1	
③-5	07HAG-SF10500	Driven Seal Ring Guide	1	
③-6	07HAG-SF10600	Tool Box	1	
④	07HAJ-SF10100	Rack Adjuster Gauge Holder Set	1	
⑤	07HAJ-SF10201	Rear Steering Center Lock Pin	1	
⑥	07HAJ-SF10300	Stroke Rod Holder Set	1	
⑦	07HFJ-SF10400	Inspection Adaptor	1	
⑧	07746-0010700	Attachment 24 x 26 mm	1	

