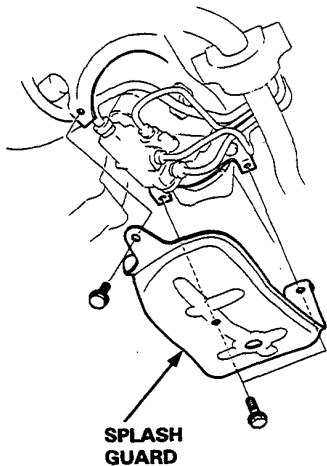


On-Car Checks

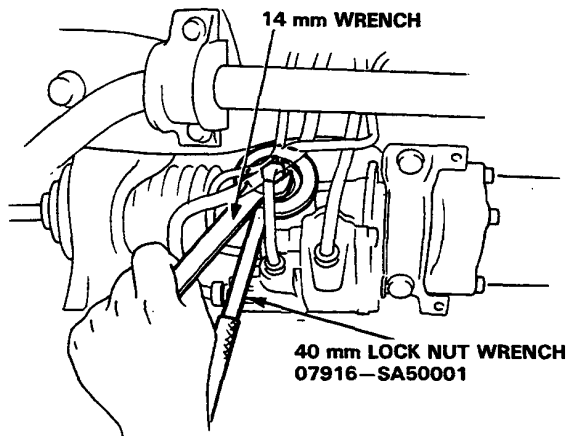


Rack Guide Adjustment

1. Remove the splash guard.



2. Loosen the lock nut on the rack guide screw with the special wrench as shown.



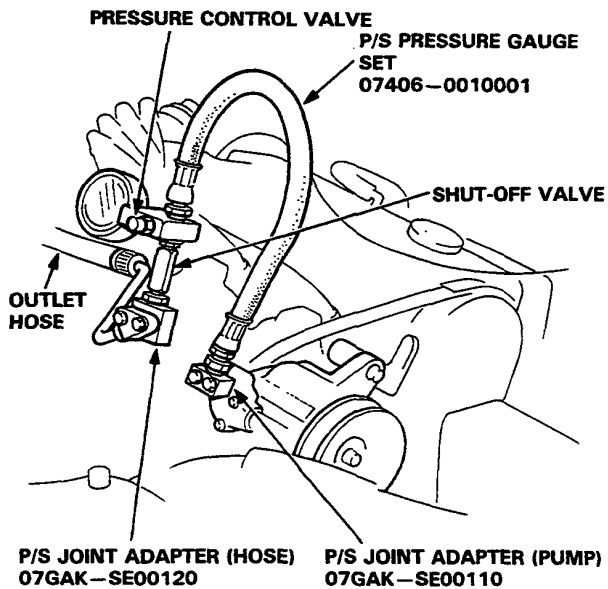
3. Tighten the guide screw until it compresses the spring and seats against the guide, then loosen it. Retighten it to about:
2WS: 3 N·m (0.3 kg-m, 2 lb-ft)
4WS: 4 N·m (0.4 kg-m, 3 lb-ft)
Then back it off about:
2WS: $25^\circ \pm 5^\circ$
4WS: $35^\circ \pm 5^\circ$
Tighten the lock nut to about 25 N·m (2.5 kg-m, 18 ft-lb) while preventing the guide screw from turning.
4. Check the steering effort as described on page 11-20.

Pump Pressure Check

Check the fluid pressure as follows to determine whether the trouble is in the pump or gearbox.

NOTE: First check the power steering fluid level and pump belt tension.

1. Disconnect the outlet hose from the pump outlet fitting, and install the pump joint adaptor on the outlet.
2. Install the hose joint adaptor to the outlet hose.
3. Install the power steering pressure gauge between the pump and pump joint adaptors as shown.



4. Open the shut-off valve fully.
5. Open the pressure control valve fully.

(cont'd)

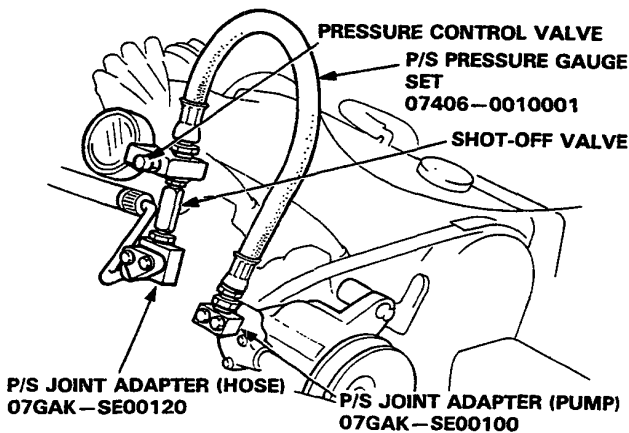
On-Car Checks

Pump Pressure Check (cont'd)

6. Start the engine and let it idle.
7. Turn the steering wheel from lock-to-lock several times to warm the fluid to operating temperature.
8. Close the shut-off valve, then, close the pressure control valve gradually until the pressure gauge needle is stable. Read pressure.
9. Immediately open the shut-off valve fully.

CAUTION: Do not keep the shut-off valve closed more than 5 seconds or the pump could be damaged by over-heating.

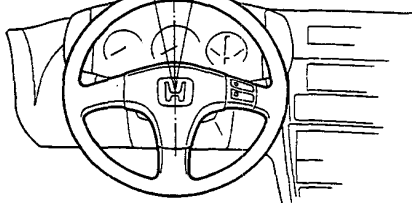
If the pump is in good condition, the gauge should read at least 7845–8826 kPa (80–90 kg/cm², 1138–1280 psi). A low reading means pump output is too low for full assist. Repair or replace the pump.



Steering Wheel Rotational Play

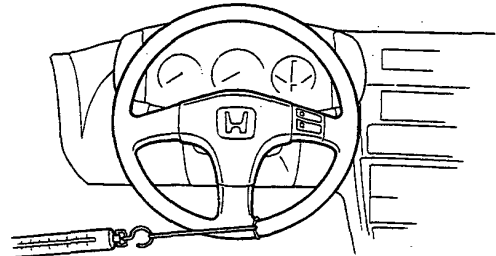
1. Place the front wheels in a straight ahead position and measure the distance the steering wheel can be turned without moving the front wheels.
2. If the play exceeds the service limit, check all steering components.

0–10 mm (0–0.4 in) Service Limit: 10 mm (0.4 in.)



Assist Check with Car Parked

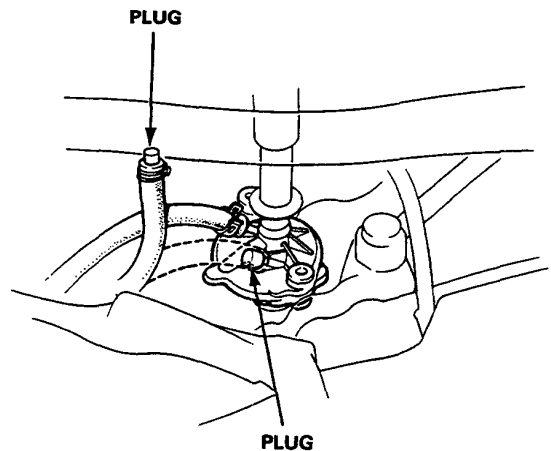
1. Check the power steering fluid level and pump belt tension.
2. Start the engine, allow to idle, and turn the steering wheel from lock-to-lock several times to warm up the fluid.
3. Attach a spring scale to the steering wheel. With the engine idling and the car on a clean, dry floor, pull the scale as shown and read it as soon as the tires begin to turn.



The scale should read no more than 18 N (1.8 kg, 4 lb).

If it reads more, go on step 4.

4. Stop the engine. Disconnect the hose from the speed sensor and plug the hose and the sensor fitting as shown.



5. Start the engine and let it idle.
 - If the reading is now 18 N (1.8 kg, 4 lbs) or less, replace the speed sensor, see page 17-29.
 - If the reading is still more than 18 N (1.8 kg, 4 lbs), check the gearbox and pump.