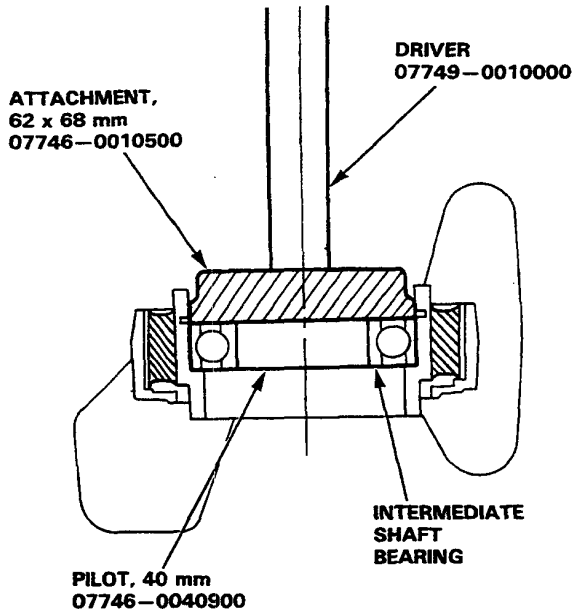


Intermediate Shaft

Reassembly

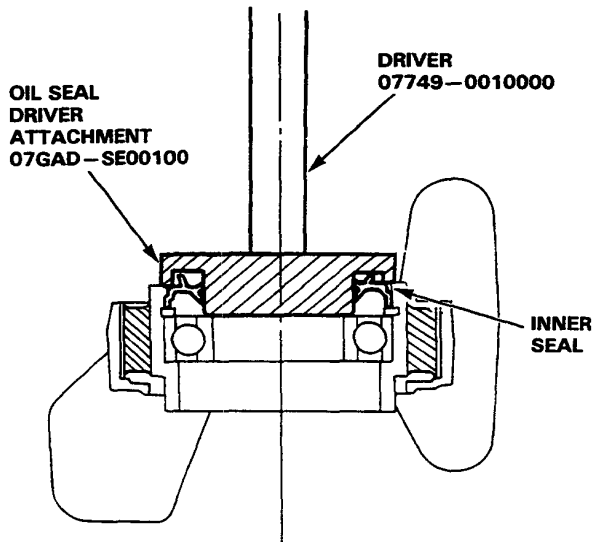
1. Press the intermediate shaft bearing into the bearing support.



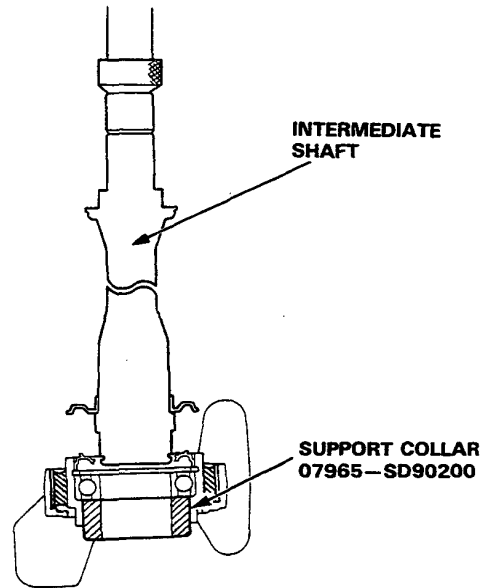
2. Seat the 68 mm circlip in the groove of the bearing support.

CAUTION: Install the circlip with the tapered end facing out.

3. Press the intermediate shaft inner seal into the bearing support.



4. Press the intermediate shaft into the shaft bearing.



5. Seat the 40 mm external circlip in the groove of the intermediate shaft.

CAUTION: Install the circlip with the tapered end facing out.

6. Press the outer seal into the bearing support.

