



Towing

Flat Bed Equipment:

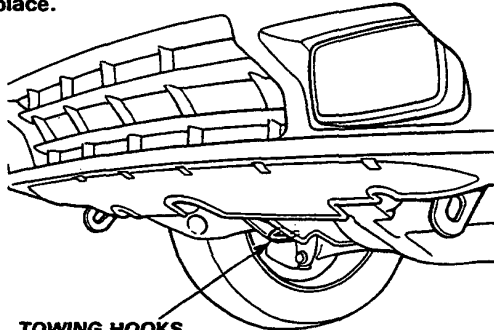
Entire car is winched on a flat bed vehicle. This is the best way of towing your Prelude.

Wheel Lift Type:

Front or rear of the car is lifted at the wheels and is suitable for your Prelude.

CAUTION: If a sling type tow is used, the tow truck driver should position wood spacer blocks between your car's frame and the chains and lift straps to avoid damaging the bumper and the body. Do not use the bumpers to lift the car or to support the car's weight while towing. Check local regulations for towing.

When towing the 16i (with 4WS) and Si (with 4WS) even with the front wheels off the ground, center the steering and tie the steering wheel in place.



TOWING HOOKS

Emergency towing with all four wheels on the ground: Under certain emergency conditions, the car may need to be towed with all four wheels on the ground. If your Prelude is towed with all four wheels on the ground, check local regulations and observe the following precautions:

- Shift the transmission to neutral.
- Release the parking brake.
- Turn the ignition to the "I" position to unlock the steering.
- Do not exceed 55 km/h (35 mph) or tow for distances of more than 80 km (55 miles).

If a frame mount tow bar is used with a four wheel tow:

- Do not attach it to the bumper.
- Follow the tow bar manufacturer's instructions.

WARNING Never use tow chains or rope to tow a car; your ability to safely control the car may be adversely affected.